



It's Your Time On the Line.

So let's take this serious.

Adding acid takes too much time.

Vibration kills performance.

A loose connection is a serious problem.

It's time to find a real solution for today's power sports demands.

Superior AGM technology. Trusted battery design.



What does it mean to be Authentic?

- Superior AGM design that's optimized in American factories for top performance
- Original ETX two-way terminal design for secure connections



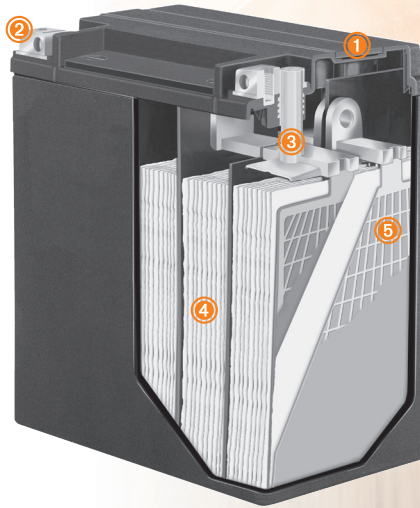
What does it mean to be an ETX?

- Say goodbye to lengthy installations, adding acid, and unnecessary replacements
- Say hello to the best built Power Sports AGM battery in the industry



If you value the time on your vehicle, we've built this for you.

- ① **Unique, pressurized valve system** is engineered for safety and long life. Helps prevent dry-out.
- ② **Molded top and side insert terminal design** provides ease of installation, increased strength and durability.
- ③ **Fortified posts, straps and welds** improves vibration resistance for long life and performance.
- ④ **Enhanced electrolyte suspension system** retain acid, protect plates, ensuring long life.
- ⑤ **POWER-PERFORM™ positive and negative, full-frame plates** provide the highest cranking amps and the lowest self-discharge rates for off-season storage.



MOTORCYCLE

ATV • UTV • PWC

SNOWMOBILE

SCOOTER

ETX is ready when you are. Now's the time to upgrade.

PART NO.	CCA @ 0°F	10 AH Rating	WT. lbs.	LENGTH		WIDTH		HEIGHT		Footnotes	Replaces these part numbers:
				in.	mm	in.	mm	in.	mm		
ETX9	120	8	7.5	5-7/8	150	3-7/16	88	4-3/16	106	38,39	9BS, CTX9/BS, ESTX9, FAYTX9, GTX9/BS, PTX9BS/FS, SC9BS, YTX9/BS
ETX12	180	10	10	5-7/8	150	3-7/16	88	5-1/8	130	38,39	12BS, CTX12/BS, ESTX12, FAYTX12, GTX12/BS, SC12FA, PTX12BS/FS, YTX12/BS
ETX14	220	12	11.5	5-7/8	150	3-7/16	88	5-3/4	145	38,39,42,75	14BS, CTX14/BS, ESTX14, GTX14/BS, GYZ16H, KMX14BS, PTX14BS/FS, YTX14/BS, YTX16BS, YTX16BS1, YB16BA
ETX14L	220	12	11.5	5-7/8	150	3-7/16	88	5-3/4	145	38,39	14LBS, CTX14L/BS, PTX14AHLBS/FS, YTX14L/BS
ETX15	220	13	11.5	5-1/4	134	3-1/2	90	6-9/16	166	38,39,42,76	FAYTX14AH, SC14AHFA, PTX14AHBS/FS, SC14AHFA, YTX14AH/BS, YB14A2/B2, YB14AA1/A2
ETX15L	220	13	11.5	5-1/4	134	3-1/2	90	6-9/16	166	38,39	CTX14AHL/BS, FAYTX14AHL, PTX14AHLBS/FS, SC14AHLFA, YTX14AHL/BS, YB14LA1/A2/B2, 12N143A/3B
ETX16	325	19	17	6-7/8	175	4	100	6-1/8	155	38,39,42,74	CTX19/BS, GT16, PTX19BS/FS, YB16B/CX, 12N164B
ETX16L	325	19	17	6-7/8	175	4	100	6-1/8	155	38,39,42,74	CTX16CLB/BS, CTX19L/BS, ES16L, GT16L, PTX19LBS/FS, PTX19CLB/FA, SC16CLBFA, YB16HLACX, YB16LB, YB16CLB, 12N163A/3B, SYB16LB
ETX18L	340	20	18	8-1/8	206	3-9/16	91	6-3/8	163	38,39	CTX24HL/BS, FAYTX24HL, PIX50LBS/FS, YTX24HL/BS, Y50N18LA/A3/CX/LM, SY50N18LAT (1), Y50N183A
ETX20L	310	17.5	15	6-7/8	175	3-7/16	88	6-1/8	155	38,39	ESTX20L, FAYTX20L, GTX20L, PTX20LBS/FS, YTX20L/BS, YTX20HL/BS/PW, GYZ20L, YB18LA
ETX30LA	400	26	21.5	6-5/8	168	5-3/16	131	6-7/8	175	38,39,42,78	CTX30L/BS, ESTX30L, FAYIX30L, GTX30L, GYZ32HL, SC30LFA, YIX30L/BS, YB30LB, Y60N24ALB, FAYIX30LPW, GYZ32HL, PIX30CLBS/FS, YIX30L/BS/PS/PW, YB30CLB

All batteries have a black cover and black case.
FOOTNOTES: 38 – "Non-spillable" defined by DOT (Department of Transportation) definitions

39 – "Non-spillable" defined by ICAO (Int'l Comm. Airline Org.) and IATA (Int'l Airline Transport Assoc.) definitions
 42 – Height without adapter
 74 – Shipped with 20mm adapter

75 – Shipped with two (2) 17mm adapters
 76 – Shipped with 10mm adapter
 78 – Shipped with 22mm height adapter
 (1) – Disconnect sensor

PROPOSITION 65 WARNING: Battery posts, terminals and related accessories contain lead and lead compounds, chemicals known to the State of California to cause cancer and reproductive harm. Batteries also contain other chemicals known to the State of California to cause cancer. **WASH HANDS AFTER HANDLING.**

